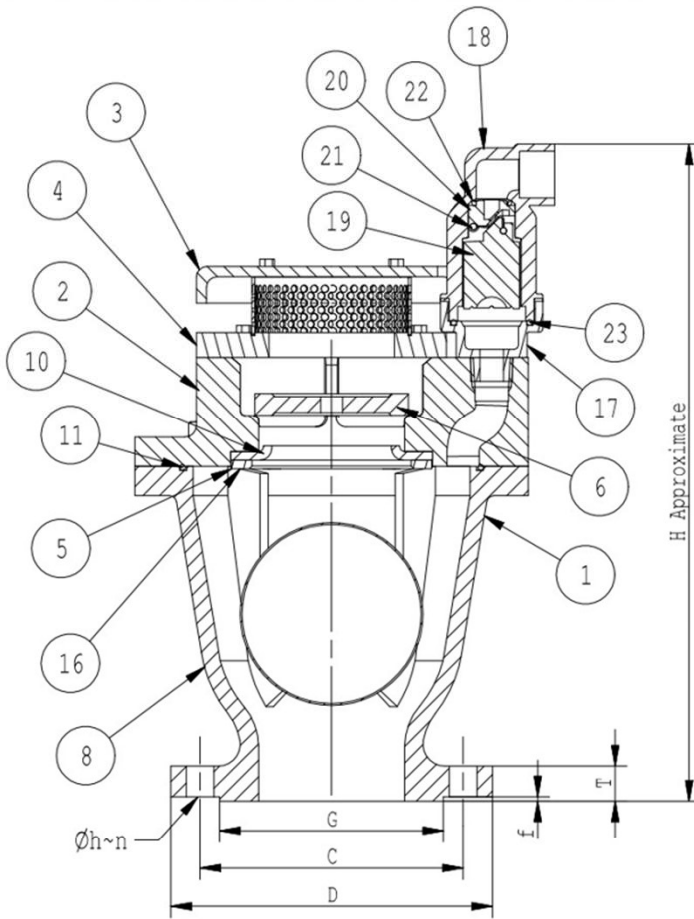


COMBINATION AIR VALVE



| | | | | |
|-------|-----------------------|---------------|----------------|-----|
| 23 | Oring B | EPDM | | 1 |
| 22 | KINETIC SEAL | EPDM | | 1 |
| 21 | FLOAT SEAL | EPDM | | 1 |
| 20 | KINETIC FLOAT | Polypropylene | | 1 |
| 19 | FLOAT B | Polypropylene | | 1 |
| 18 | BODY B | Polypropylene | | 1 |
| 17 | BASE | Polypropylene | | 1 |
| 16 | Seat Holder Bolt | SUS 304 | | 4 |
| 15 | Cover Bolt | Steel | | 4 |
| 14 | Anti Shock Cover Bolt | Steel | | 4 |
| 13 | Bonnet NUT | Steel | | 4 |
| 12 | Bonnet Bolt | Steel | | 4 |
| 11 | O-RING | EPDM | | 1 |
| 10 | SEAL RING | EPDM | | 1 |
| 8 | FLOAT | SUS 304 | A 276 TYPE 304 | 1 |
| 7 | SCREEN | SUS 304 | A 276 TYPE 304 | 1 |
| 6 | Anti Shock Plate | Aluminum | | 1 |
| 5 | SEAT HOLDER | Brass | B 21 | 1 |
| 4 | Anti Shock Cover | Cast Iron | A 126 Class B | 1 |
| 3 | COVER | Cast Iron | A 126 Class B | 1 |
| 2 | BONNET | Cast Iron | A 126 ClassB | 1 |
| 1 | BODY | Cast Iron | A126 Class B | 1 |
| PC NO | PART NAME | Material | DESIGNATION | QTY |

*** REMARK : Anti Shock is an option

| SIZE | øD | øC | øG | f | T | øh~n | H |
|------|-----|-----|-----|---|----|------|-----|
| 50 | 165 | 125 | 50 | 3 | 20 | 19~4 | 310 |
| 80 | 200 | 160 | 80 | 3 | 22 | 19~8 | 390 |
| 100 | 220 | 180 | 100 | 3 | 25 | 19~8 | 455 |
| 150 | 285 | 240 | 150 | 3 | 26 | 23~8 | 574 |
| 200 | 340 | 295 | 200 | 3 | 28 | 23~8 | 720 |



CHAIPONG ENGINEERING CO.,LTD.

Tel : 02-482-1526-7 Fax : 02-019-8911

email : chaipong_cpe@hotmail.com