

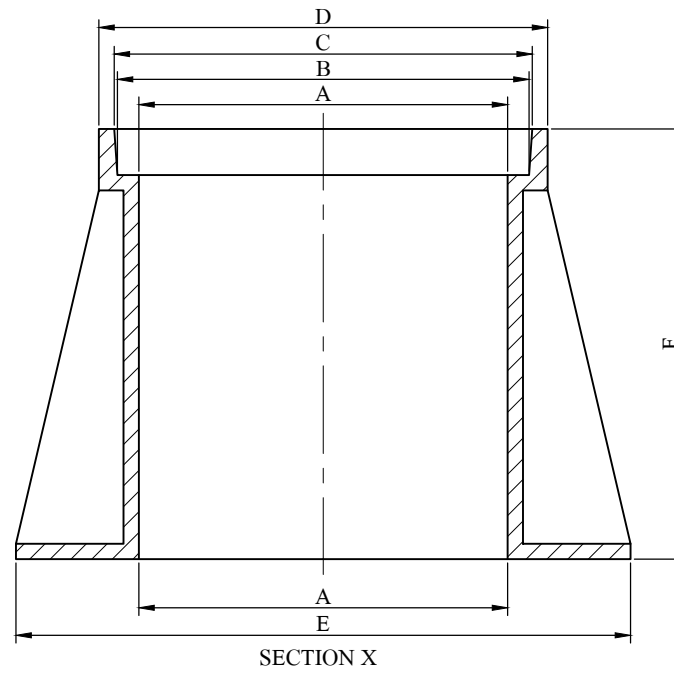
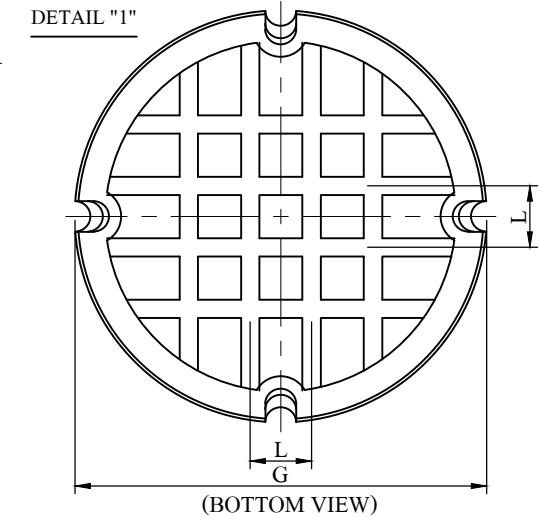
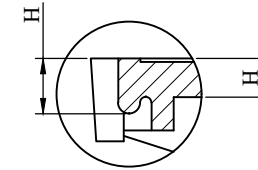
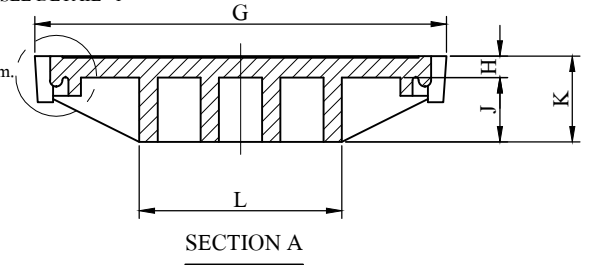
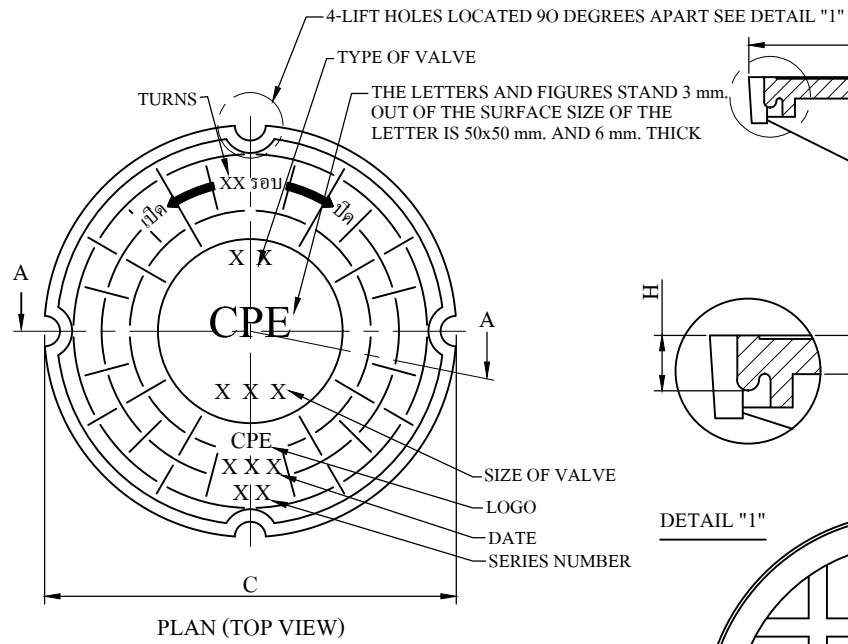
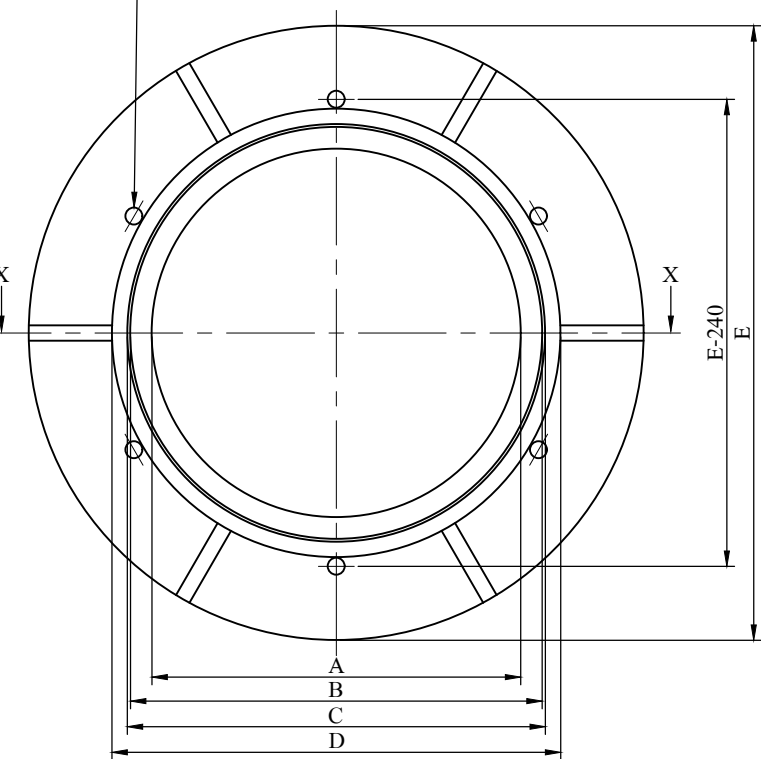
TABLE : DIMENSION OF SURFACE BOX CONER

SIZE	G	H	J	K	L	FOR BUTTERFLY VALVE SIZE	FOR AIR VALVE VALVE SIZE
600	670	35	105	140	1. PANEL @ 170	400-600	50-80
800	870	35	105	140	3. PANEL @ 150	700-900	100-200
1000	1070	35	145	180	3. PANEL @ 150	1000	-
1200	1270	40	140	180	5. PANEL @ 150	1200	-
1400	1470	40	170	210	5. PANEL @ 150	1400-1500	-

TABLE : DIMENSION OF SURFACE BOX FRAMES

SIZE	A	B	C	D	E	VALVE SIZE			
						BUTTERFLY VALVE Height	AIR VALVE Height	FOR BUTTERFLY VALVE	FOR AIR VALVE
600	600	670	680	730	1000	700	700	400-600	50-80
800	800	870	880	930	1200	700	900	700-900	100-200
1000	1000	1070	1080	1130	1400	800	-	1000	-
1200	1200	1270	1280	1330	1600	800	-	1200	-
1400	1400	1470	1480	1530	1800	925	-	1400-1500	-

6 HOLES Ø28 mm. FOR BOLTS AND NUT Ø24 mm. x130 mm.



CHAIPONG ENGINEERING CO.,LTD.

PROJECT : GENERAL

TITLE : Surface Box 600-1400 mm

DRAWN BY : K.preecha

SCALE : Not to Scale

DESIGNER : CPE

DATE : 19-06-2019

CHECKER :

DRAWING NO.

APPROVER :

CPE-SBC600-1400-02