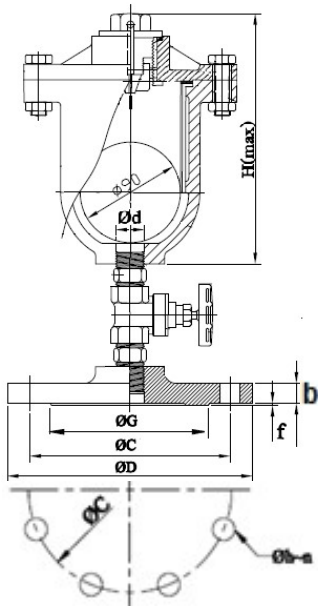
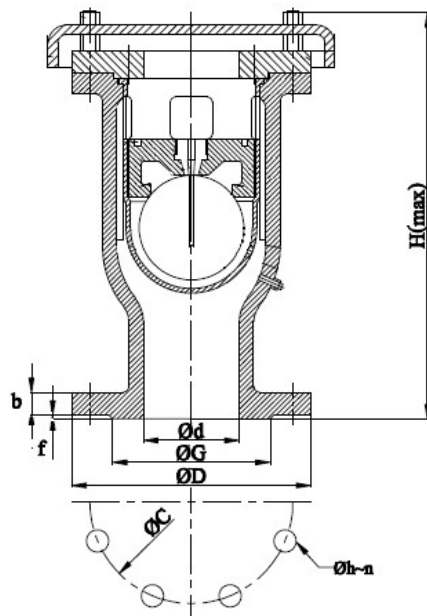


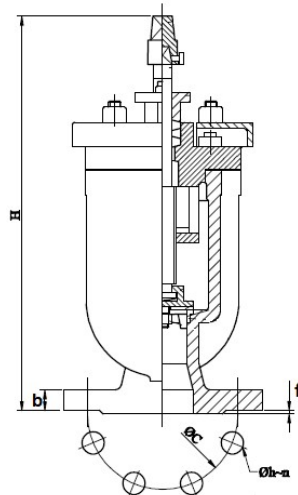
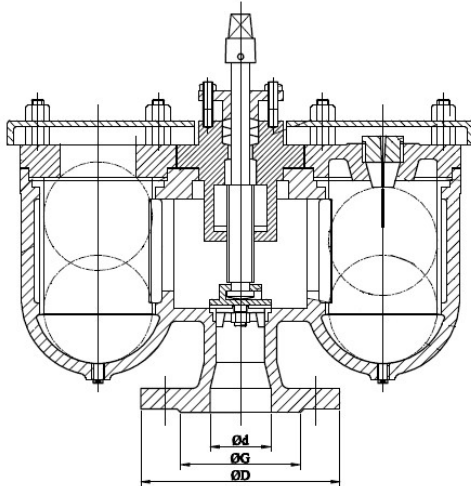
AIR VALVE



Single Air Valve



High Speed Air Valve



Double Air Valve

Type	Size Ød	H Max.	FLANGE DIMENSIONS						
			ØD	ØC	ØG	Øh	n	f	b
Single Air Valve	25	220	220	180	158	19	8	3	19
Double Air Valve	50	463	220	180	156	19	8	3	19
	80	485	220	180	156	19	8	3	19
	100	565	220	180	156	23	8	3	19
	150	660	285	240	211	23	8	3	21
	200	-	340	295	264	23	8	3	23
High Speed Air Valve	50	250	165	125	99	19	4	3	17
	80	320	200	160	132	19	8	3	19
	100	410	220	180	156	19	8	3	21
	150	500	285	240	211	23	8	3	23
	200	550	340	295	266	23	12	3	27
	250	550	395	350	319	23	12	3	27



CHAIPONG ENGINEERING CO.,LTD.

Tel : 02-482-1526-7 Fax : 02-019-8911

email : chaipong_cpe@hotmail.com