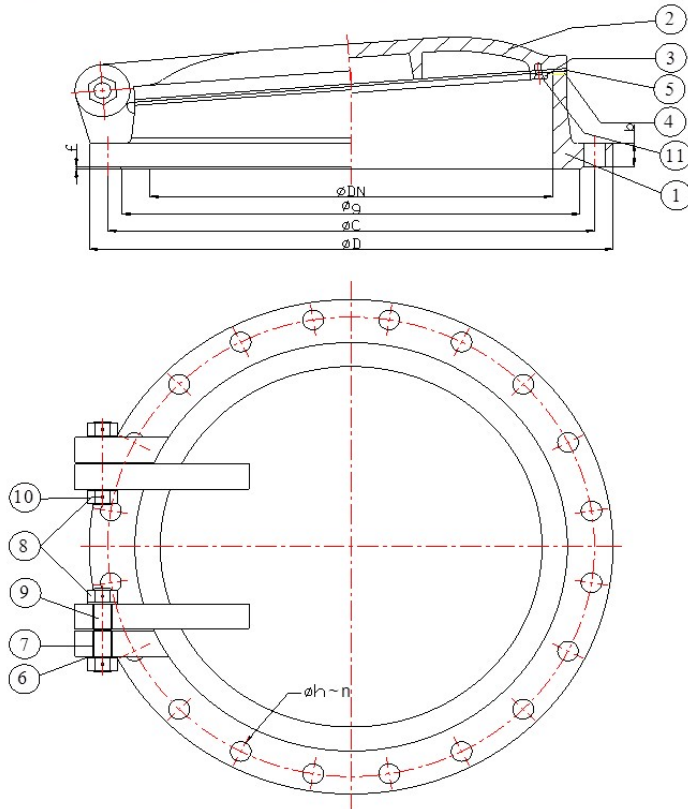


# FLAP VALVE



Size	ØD	ØC	ØDN	Øh	n	f	b
100	220	180	100	18	8	11	21
150	285	240	150	22	8	11	23
200	340	295	200	22	8	12	23
250	395	350	250	22	12	14	25
300	445	400	300	22	12	15	25
400	565	515	400	26	16	17	28
500	670	620	500	26	20	21	30
600	780	725	600	30	20	24	31
700	895	840	700	30	24	27	35
800	1015	950	800	33	24	29	39
900	1115	1050	900	33	28	31	41
1000	1230	1160	1000	36	28	33	45
1200	1455	1380	1200	39	32	38	51
1500	1785	1700	1500	43	36	43	61
1800	2115	2020	1800	49	44	50	70
2000	2325	2230	2000	49	48	55	75

No.	PART NAME	MATERIAL	REFERENCE	Q' TY
1	Body	Ductile Iron/Cast Iron	A 536 Grade 65/A 126 Class B	1
2	Disc	Ductile Iron/Cast Iron	A 536 Grade 65/A 126 Class B	1
3	Seat Hoder	Stainless Steel	A 276 Type 304	1
4	Body Seat Ring	Bronze	B 62	1
5	Disc Seat Ring	Rubber (NBR)	D2000	1
6	Thurst Bearing	Bronze	B 62	1
7	Bushing	Bronze	B 62	1 set
8	Hinge Pin Nut	Stainless Steel	A 276 Type 304	1 set
9	Hinge Pin	Stainless Steel	A 276 Type 304	2
10	Pin	Stainless Steel	A 276 Type 304	1 set
11	Seat Hoder Bolt	Stainless Steel	A 276 Type 304	1 set



\* Square Flap Valve also available



**CHAIPONG ENGINEERING CO.,LTD.**

Tel : 02-482-1526-7 Fax : 02-019-8911

email : chaipong\_cpe@hotmail.com