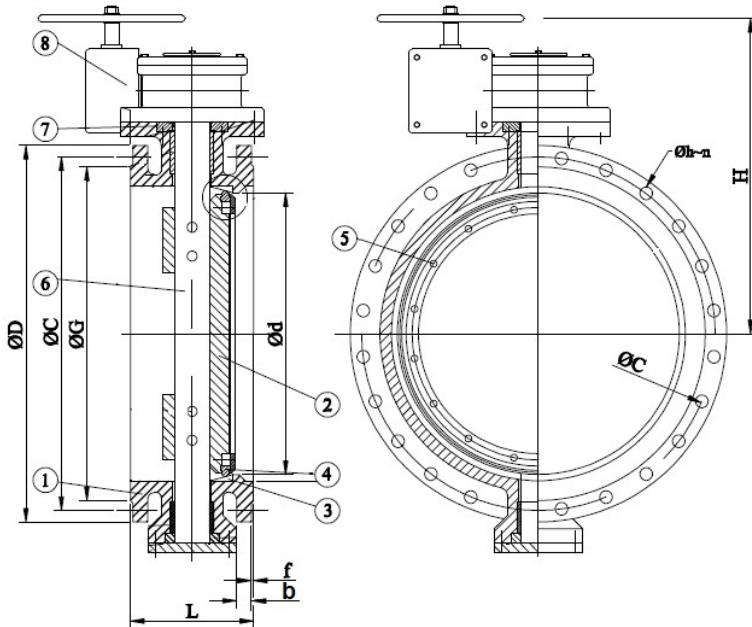


BUTTERFLY VALVE



Size	L	FLANGE DIMENSIONS						
		ØD	ØC	ØG	Øh	n	f	b
80	114	200	160	132	18	8	3	19
100	127	220	180	156	18	8	3	21
150	140	285	240	211	22	8	3	23
200	152	340	295	266	22	8	3	23
250	165	395	350	319	22	12	3	25
300	178	445	400	365	22	12	4	25
400	216	565	515	480	26	16	4	28
500	229	670	620	582	26	20	4	30
600	267	780	725	682	30	20	5	31
700	292	895	840	749	30	24	5	35
800	318	1015	950	901	33	24	5	39
900	330	1115	1050	1001	33	28	5	41
1000	410	1230	1160	1112	36	28	5	45
1200	470	1455	1380	1328	39	32	5	51
1400	530	1675	1590	1530	42	36	5	57
1500	565	1785	1700	1640	42	36	5	61
1800	670	2115	2020	1950	48	44	5	70

No.	PART NAME	MATERIAL	REFERENCE	Q' TY
1	Body	Ductile Iron/Cast Iron	A 536 Grade 65/A 126 Class B	1
2	Disc	Ductile Iron/Cast Iron	A 536 Grade 65/A 126 Class B	1
3	Body Seat Ring	Bronze	B 62	1
4	Disc Seat Ring	Rubber (NBR)	D2000	1
5	Disc Seat Holder	Bronze	B 62	1
6	Shaft	Stainless Steel	A 276 Type 304	1
7	Bushing	Bronze	B 62	2
8	Gear Box	Cast Iron	A 126 Class B	1 Set



CHAIPONG ENGINEERING CO.,LTD.

Tel : 02-482-1526-7 Fax : 02-019-8911

email : chaipong_cpe@hotmail.com